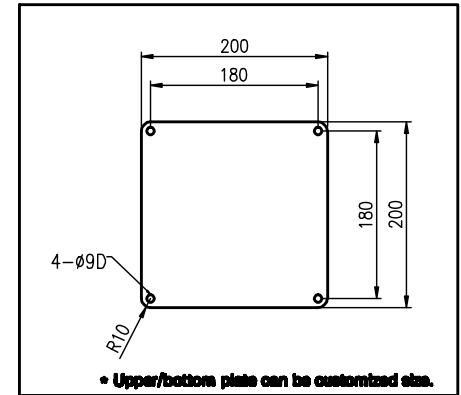
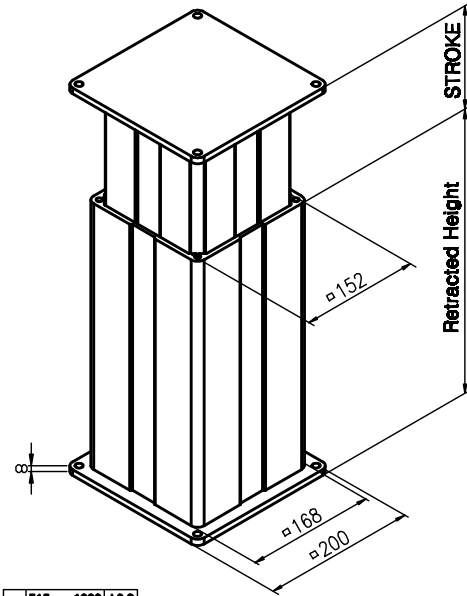
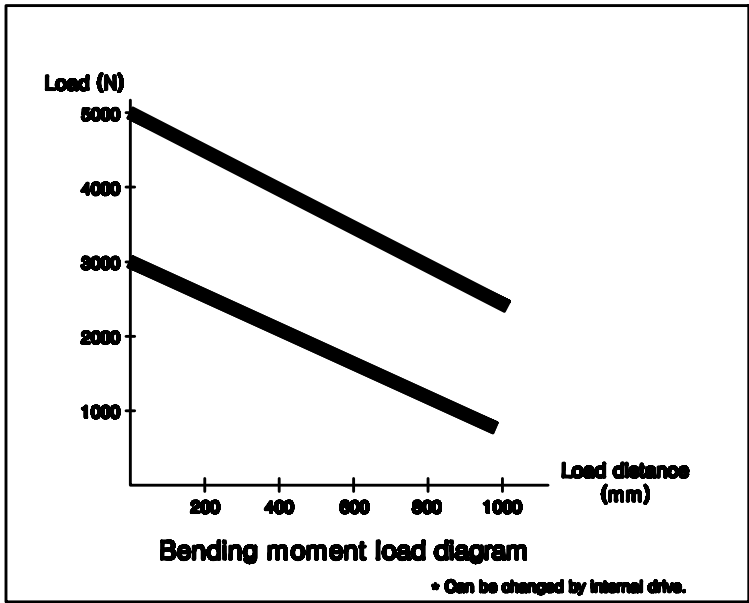


NO.	DATE	REVISION DESCRIPTION	DRAWING CHECKED	APPROVED
△				
△				

ES12



315 - 1000	±0.6
120 - 315	±0.5
30 - 120	±0.3
6 - 30	±0.2
0.5 - 6	±0.1
0.5	0.05
1	0.1
2	0.2
3	0.3
4	0.4
5	0.5
6	0.6
8	0.8
10	1.0
15	1.5
20	2.0
30	3.0
40	4.0
50	5.0
60	6.0
80	8.0
100	10.0

NO.	DATE	REVISION DESCRIPTION	DRAWING CHECKED	APPROVED
△				
△				

SAND BLT	GENERAL ROUND	NO. DRG No.	DESCRIPTION	MAT'L	QTY	REMARK
PARKERIZ.						
BARRREL						
BRIGHT DIP	R 0.3	<b>ES12</b> MOTORIZED SYSTEM				SCALE: NON
BUF	Co-6					LIMIT: M/M
Eg-Cr	Co-5	MODEL	PARTS	DATE	THIRD ANGLE PRODUCTION	
Eg-CrEr	Co-4	ES-311A-0000-0	ES-311A-0000-0	2012.03.27.		
Eg-ChH	Co-3	DRAWING	CHECKED	APPROVED	DRAWING NO.	
Eg-Ni	Co-2				ES-12(400)	
Eg-Zn	Co-1					