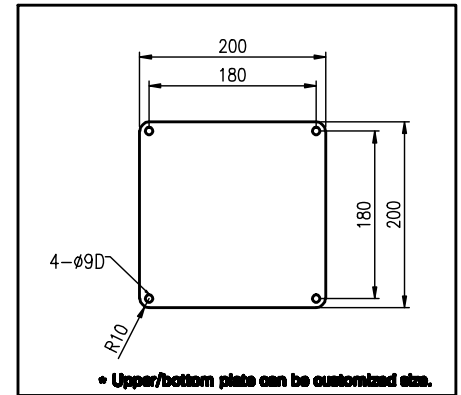
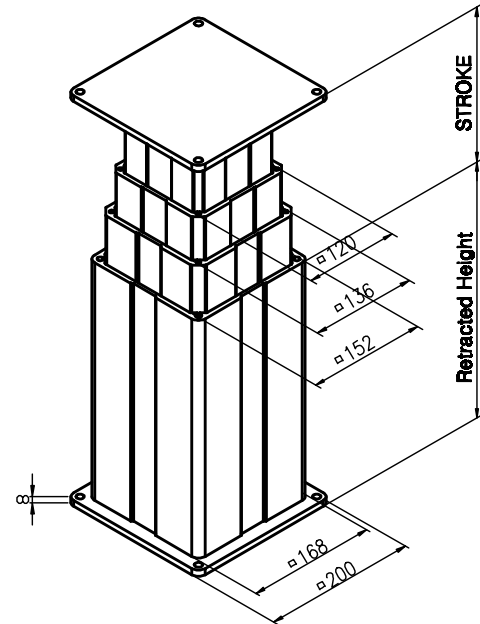
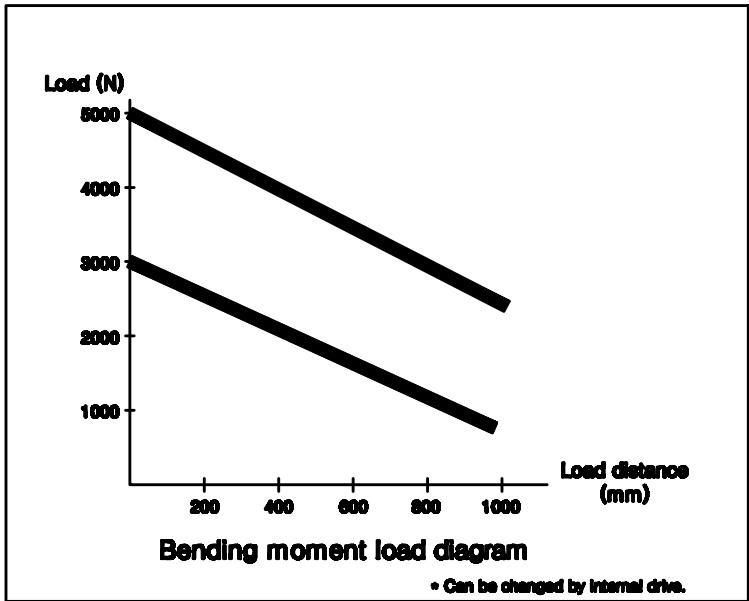


NO.	DATE	REVISION DESCRIPTION	DRAWING CHECKED	APPROVED
△				
△				

ES12-4



315 - 1000	±0.8
120 - 315	±0.5
30 - 120	±0.3
6 - 30	±0.2
0.5 - 6	±0.1
▽▽▽▽	0.8S
▽▽▽	0.3S
▽▽	2SS
▽	100S

SAND BLT	GENERAL	NO. DWG No.	DESCRIPTION	MAT'L	QTY	REMARK
PARKERIZ.	ROUND	<b>ES12</b> MOTORIZED SYSTEM				SCALE
BARREL	R 0.3					UNIT
BRIGHT DIP	Co-6	MODEL	PARTS	DATE	THIRD ANGLE PROJECTION	
BUF	Co-6	ESP-3115-08180-0	ESP-3115-08180-0	2012.03.27.		
Eg-Cr	Co-6	DRAWING	CHECKED	APPROVED	DRAWING NO.	
Eg-CrEr	Co-6				ESP-1.17(00)	△
Eg-CH	Co-3					
Eg-Ni	Co-2					
Eg-Zn	Co-1					