

This switched-mode power supply adjusts automatically to the voltage of any country, so only the matching plug-in mains cable is needed for country-specific types. PD 12 and 13 have very low power consumption, incl. in standby mode (< 0.5 W) and meet eco-design directive 2009/125/EC, DC or LS coupling on secondary side. LED operating status indication (green).

- Output voltage: 29 V DC constant voltage output
- Power supply: wide input voltage range 100-240 V AC
- Safety: NTC temperature sensor, primary fuse, overload protection, overcurrent switch-off, short-circuit-proof output
- Equipment options: pull-out protection, wall-connector version for EU, UK, USA, AUS, JP (PD12), ready for battery use, connection for 2 x 9 V block batteries (PD13)



Standard configurations

Performance data

Output voltage	29 V DC constant voltage output
----------------	---------------------------------

Components

Indicators	LED operating status indication (green)
------------	---

Colour	black RAL 9005
--------	----------------

Further data

Protection type	IP20
-----------------	------

Relative humidity	30% - 75%
-------------------	-----------

Ambient temperature	+10°C - +40°C
---------------------	---------------

Power supply	wide input voltage range 100-240 V AC
--------------	---------------------------------------

Safety	NTC temperature sensor, primary fuse, overload protection, overcurrent switch-off, short-circuit-proof output
--------	---

Assembly options	by means of mounting plates
------------------	-----------------------------

Extra configurations

Further data

Equipment options	pull-out protection, wall-connector version for EU, UK, USA, AUS, JP (PD12), ready for battery use, connection for 2 x 9 V block batteries (PD13)
-------------------	---

SMPS PD 12 / PD 13

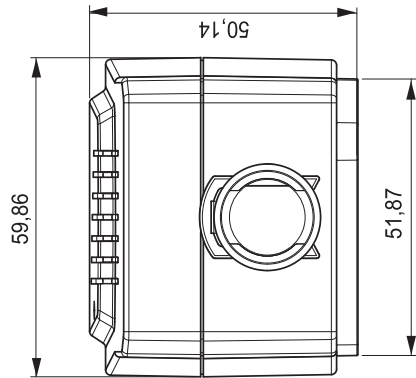


DEWERT

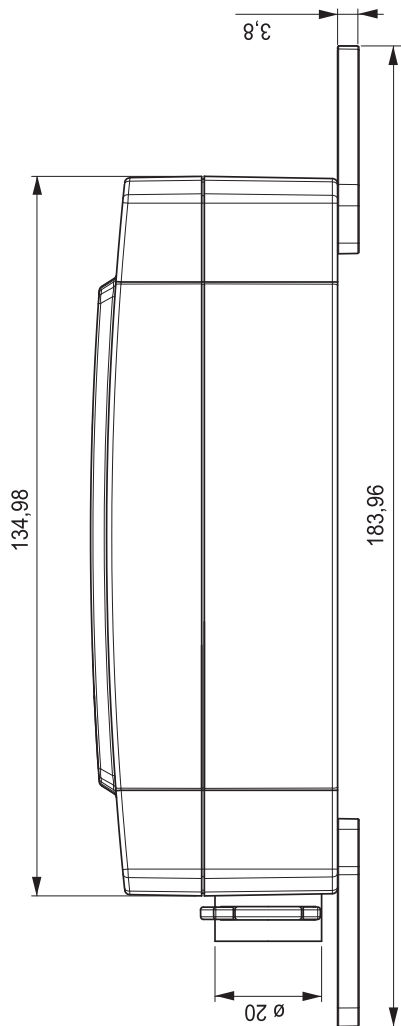
A Phoenix Mecano Brand

Page 3/4 - stand of 03/2013

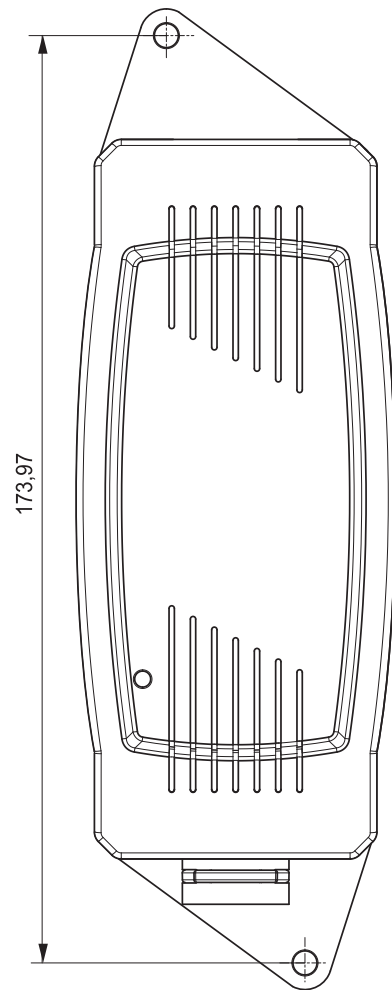
Side view



Front view



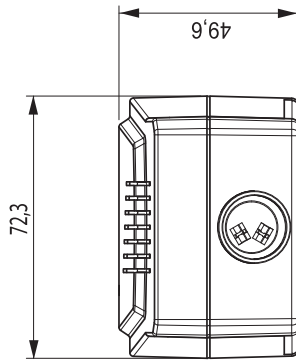
Top



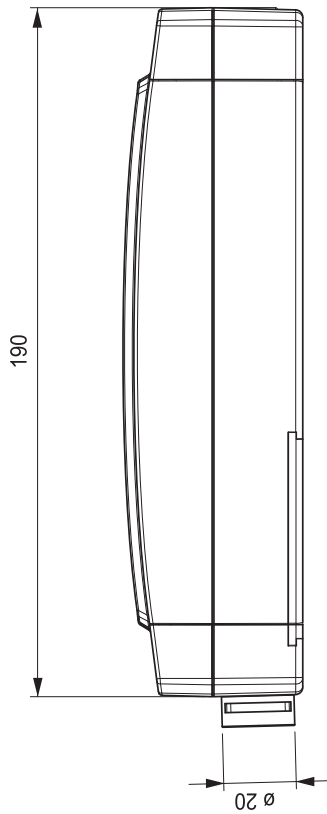
Note: Responsibility for DEWERT products when used for specific applications and for adherence to the appropriate guidelines, standards and laws is borne by the manufacturer of the complete system into which DEWERT products are fitted. We accept no liability for the correctness.

Dewert Antriebs- und Systemtechnik GmbH • Weststraße 1 • 32278 Kirchlengern
Phone: +49 (0)52 23 / 9 79 -0 • Fax: +49 (0)52 23 / 7 51 82 • Email: info@dewert.de • Internet: http://www.dewert.de

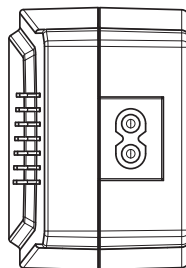
Side view to the left



Front view



Side view to the right



Top

