

LIMIT SWITCH

External limit switch for DEWERT drives and control units. For a wide range of uses e.g. switching a motor off e.g. if there is a risk of a mechanical collision.

- Protection type: IPx6
- Application also as switch-on device for special functions parallel to handset or SUPERVISOR.



Standard configurations

Components

Colour

light grey RAL 7035

Further data

Protection type

IPx6

Relative humidity

30% – 75%

Ambient temperature

+10°C - +40°C

Safety

application also as switch-on device for special functions parallel to handset or SUPERVISOR

LIMIT SWITCH

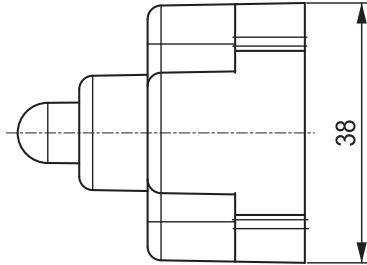


DEWERT

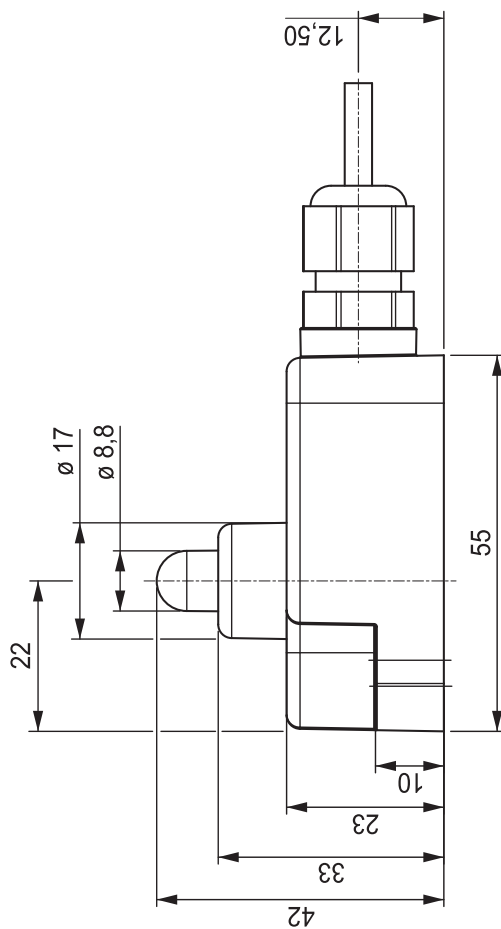
A Phoenix Mecano Brand

Page 3/3 - stand of 03/2013

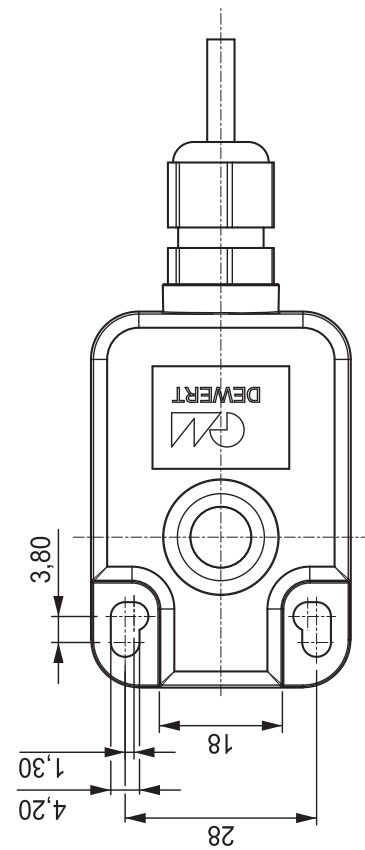
Side view



Front view



Top view



Note: Responsibility for DEWERT products when used for specific applications and for adherence to the appropriate guidelines, standards and laws is borne by the manufacturer of the complete system into which DEWERT products are fitted. We accept no liability for the correctness.

Dewert Antriebs- und Systemtechnik GmbH • Weststraße 1 • 32278 Kirchlengern
Phone: +49 (0)52 23 / 9 79 -0 • Fax: +49 (0)52 23 / 7 51 82 • Email: info@dewert.de • Internet: http://www.dewert.de